

THOMAS BELL-WRIGHT

A PHENNA GROUP COMPANY



In accordance with IAS accreditation to ISO/IEC 17065
Certification is Hereby Granted

to

Kuwait Polyurethane Industry Company WLL

Western Shuaiba Industrial, Mina Abdullah, Kuwait

for

“KPI SP Panel” 100 mm thick Trapezoidal Polyisocyanurate (PIR) Sandwich Panel Test Method: ASTM E84-23d

which, subject to limitations described on the following pages and continued
listing on www.tbwcert.com, complies with Product Certification Scheme
*SD03 Exterior Wall Assemblies, Curtain Walls, Building Materials,
Products & Assemblies*

In witness whereof, this Certificate is issued this 13th day of January 2026



Sandy Dweik
Chief Executive Officer

Nicholas Purcell
Director of Certification

Certificate Number: TBW0301185

Initial registration: December 17, 2025

Issued: January 13, 2026

Expiration: December 16, 2028

File Name: ZB103_CRT_SD03RX_100mm_TRP_Issue2_1185_(f)

Issue 2

This certificate and schedules are held in force by regular Factory Inspections by Thomas Bell-Wright International Consultants (TBWIC).
Refer to www.tbwcert.com or contact TBWIC Certification Division to validate the current status of the Certification.

This certificate remains a property of Thomas Bell-Wright International Consultants.

P.O. Box 26385, Dubai, UAE. | Tel: +971 4 8215777 | Email: certification@bell-wright.com | Web: www.bell-wright.com

This document must not be reproduced except in its entirety and with the express permission of Thomas Bell-Wright International Consultants
F 19 Scheme Certificate Issue 8 Issued Mar 2024

“KPI SP Panel”
100 mm thick Trapezoidal
Polyisocyanurate (PIR) Sandwich Panel

- A. Certification is given for “KPI SP Panel” 100 mm thick Trapezoidal Polyisocyanurate (PIR) Sandwich Panel for Reaction to Fire performance to test standard ASTM E84-23d, “Standard Test Method for Surface Burning Characteristics of Building Materials” for Flame Spread Index (FSI) and Smoke Developed Index (SDI), subject to the limitations stated herein. The summary of the scope of certification is stated below.

Table 1. Summary of the Scope of Certification

Product Name/Reference	Reaction to Fire Performance		Report Reference
	Result	Standard	
“KPI SP Panel” 100 mm thick Trapezoidal Polyisocyanurate (PIR) Sandwich Panel	Class A ^[1] (FSI:0, SDI:200)	ASTM E84-23d	ZB104-3 (Rev.01)

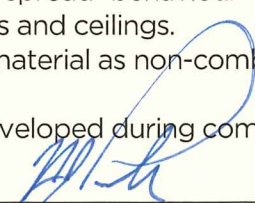
^[1] Certification is based on ASTM E84-23d test result; and classification is based on the International Building Code 2024, Section 803.1.2 according to Flame Spread Index (FSI) and Smoke Developed Index (SDI).

- B. Readers of this document should be familiar with the fire test standard and the requirements of ISO/IEC 17065:2012. The Certification will be listed on www.tbwcert.com while it remains current. This Certification is not valid if it is not so listed.
- C. The product is approved based on TBWIC Product Certification Scheme SD03 Exterior Wall Assemblies, Curtain Walls, Building Materials, Products & Assemblies (Issue 12), which includes pre-test sampling, evidence of performance (under report reference(s) in Table 1), Technical Verification and Proof of Performance, compliance to Factory Production Control requirements and surveillance & Re-certification Inspection/Audits.
- D. Limitations
- D.1. This Certification covers the specifications of the products as described in Sections E.
- D.2. The test standard covered under this Certification was used to measure the response of materials, products, or system assemblies to heat and flame under controlled conditions. The results described in each particular test report on its own shall not be used as the sole criteria for fire-hazard or fire-risk assessment of the materials, products, or system assemblies under actual fire conditions.
- D.3. No variations are allowed in material composition and manufacturing process unless recognised and approved by this Certification.
- D.4. This Certification pertains only to the product as tested. It does not extend to the construction build-up or assembly comprising the material.
- D.5. Changes to the interior and exterior facings (metal specification, grade, thickness, and profile type) are not permitted unless recognised and approved by this Certification.
- D.6. This Certification does not address the following:
- Air and Water Permeability
 - Measurement of heat transmission
 - Effect of aggravated flame spread behaviour of an assembly resulting from the proximity of combustible walls and ceilings.
 - Classification or definition of material as non-combustible
 - Any Resistance to Fire rating
 - The toxicity level of smoke developed during combustion

Certificate No.: TBW0301185

Seal No.: 103358

Page 2 of 3
Issue 2



Director of Certification
Nicholas Purcell

Issued: 13 Jan 2026
Valid to: 16 Dec 2028

This Certificate is the property of Thomas Bell-Wright International Consultants UAE.
Registered office: P.O. Box 26385, Dubai, UAE. F 19 Scheme Certificate Issue 8 Issued Mar 2024

This document must not be reproduced, except in its entirety and with the express permission of Thomas Bell-Wright International Consultants.

- g. Fire propagation characteristics when tested as large-scale façade cladding assembly
- h. Other characteristics such as durability, weather-resistance, water absorption, physical, chemical and mechanical properties etc.

E. Product Details

E.1. Product Description

Reference: "KPI SP Panel"

Description: Trapezoidal polyisocyanurate (PIR) sandwich panel

Nominal Panel Thickness: 100 mm

E.2. Product Component Details

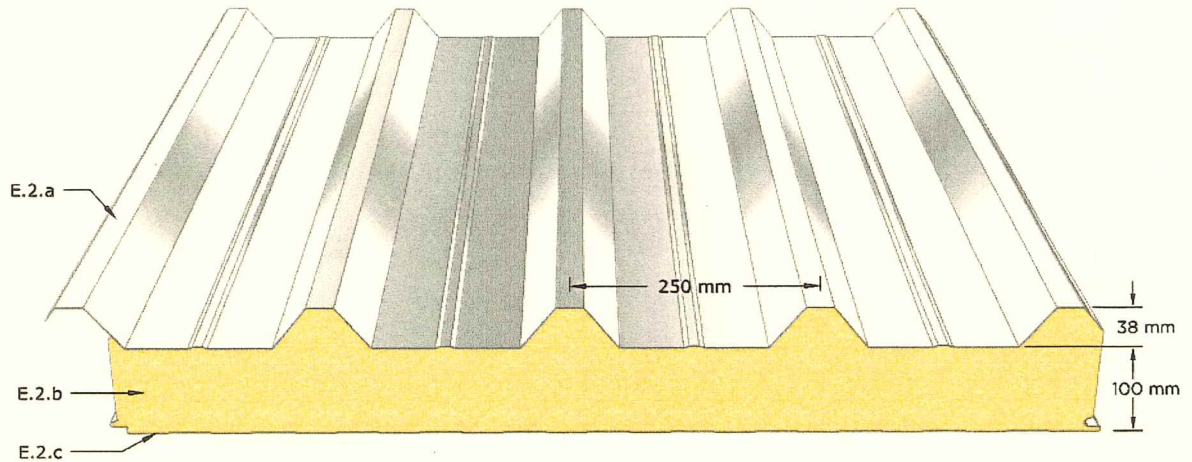



Figure 1. Polyisocyanurate Sandwich Panel - Typical details

- a. Exterior Facing (Unexposed to Fire)
 - Material: Pre-painted Galvanised Steel
 - Grade: ASTM A653, Grade A, G60
 - Nominal Thickness: 0.67 mm
 - Profile: "38/250"
 - Coating Type: Polyester (PE)
 - Maximum Coating Thickness: 25 microns
- b. Core
 - Material: Polyisocyanurate (PIR)
 - Density: $40 \pm 2 \text{ kg/m}^3$
- c. Interior Facing (Exposed to Fire)
 - Material: Pre-painted Galvanised Steel
 - Grade: ASTM A653, Grade A, G60
 - Nominal Thickness: 0.67 mm
 - Profile: "Flat"
 - Coating Type: Polyester (PE)
 - Maximum Coating Thickness: 7 microns

F. Approved Manufacturing Location

Area Plot No. 5, Western,
Shuaiba Industrial, PO Box 25345,
Mina Abdullah, Kuwait

Certificate No.: TBW0301185


Director of Certification
Nicholas Purcell

Seal No.: 103358

Page 3 of 3
Issue 2

Issued: 13 Jan 2026
Valid to: 16 Dec 2028

This Certificate is the property of Thomas Bell-Wright International Consultants UAE.
Registered office: P.O. Box 26385, Dubai, UAE. F 19 Scheme Certificate Issue 8 Issued Mar 2024

This document must not be reproduced, except in its entirety and with the express permission of Thomas Bell-Wright International Consultants.